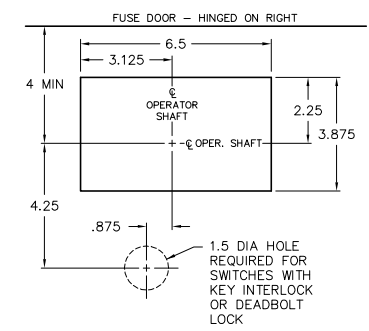
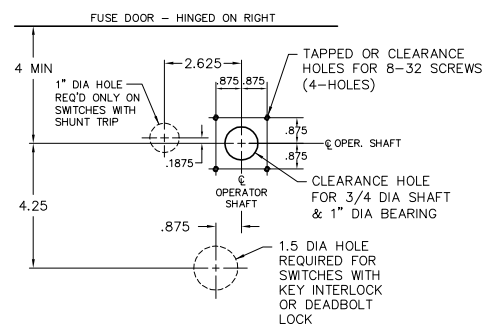


AMPS	CATALOG NUMBER*			NET WEIGHT (LBS)			A	B2	B3	B4	C2	C3	C4	D	E	F	G	H	J	K	L	M	N	P	R	R4	S	T	V	RECOMMENDED LUGS
	2-P	3-P	4-P	2-P	3-P	4-P																								
400	JB265	JB365	JB465	41	57	74	26.5	9.12	13.62	18.12	14.5	19	23.5	10.38	3.75	1.62	4.38	6.12	1.5	9.5	3.38	.62	1.12	4.5	7.88	12.38	.25	1.25	38	ILSCO XTA-600 #2-600 MCM OR (2) 3/0-250 MCM CU-AL
600	JB266	JB366	JB466	44	63	82	28	10	15	20	15	20	25	10.38	3.38	1.62	4.62	6.38	.81	8.88	3.88	.62	1.38	5	8.62	13.62	.25	1.88	48	ILSCO D1459 (2) #2-600 MCM CU-AL
800	LB267	LB367	LB467	58	80	102	29.88	11.5	17	22.5	16.5	22	27.5	11.38	4	1	5	5.88	1	9.06	4.75	1.25	2	5.5	9.75	15.25	.31	1.88	48	T & B TYPE GR (3) #2-600 MCM CU-AL

*SUFFIX "WOL": WITHOUT TERMINAL LUGS SUFFIX "ST": SHUNT TRIP OPERATOR



RECOMMENDED FRONT CUT-OUT
THIS RECTANGULAR CUT-OUT IS REQUIRED WHEN USING OPTIONAL E.U.S.E.R.C. PADLOCK CLIP



ALTERNATE FRONT CUT-OUT

NOTES:

- BOND IS PROVIDED BY MEANS OF #6 COPPER WIRE BETWEEN OPERATOR AND MOUNTING SCREW.
- RECOMMENDED MOUNTING SCREWS ARE #5/16-18.

KEY INTERLOCK SPECIFICATIONS

KEY INTERLOCK SPECIFICATIONS FOR SWITCHES EQUIPPED WITH KEY INTERLOCK PROVISIONS ARE:

- .375 BOLT PROJECTION WHEN WITHDRAWN
- KIRK TYPE B
- SUPERIOR TYPE B6003

SERIES JB & LB

400-800 AMP 600 VAC BOTTOM-FEED CLASS J & L FUSIBLE SWITCHES

SCALE:	APPROVED BY:	DRAWN BY JAE
DATE: 4-8-96		REVISED 4

boltswitch, inc.
CRYSTAL LAKE, ILLINOIS 60014

DRAWING NUMBER
O-1567

REV 4 2-23-06 JWE UPDATED TO SHOW CURRENT HANDLE
REV 3 2-2-04 JWE ADDED "LINE" & "LOAD"
REV 2 5-31-00 JAE KEY INT REVISED DUE TO NEW ST-8
REV 1 7-14-97 RME NEW FRONT CUT-OUTS