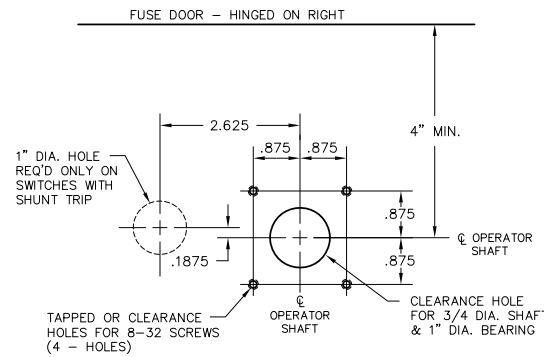
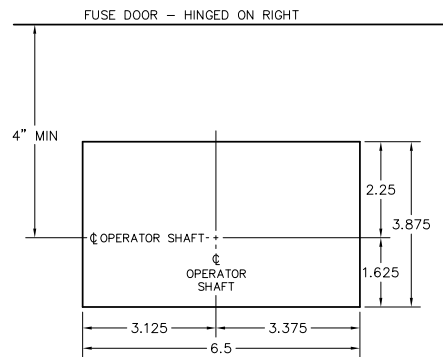


**VENTILATION**

WHEN 1200A SWITCH IS TOTALLY ENCLOSED, VENTILATING LOUVERS MUST BE PROVIDED YIELDING A MINIMUM OPEN AREA OF 23.3 SQUARE INCHES NEAR THE TOP OF THE ENCLOSURE, AND 23.3 SQUARE INCHES NEAR THE BOTTOM OF THE ENCLOSURE.

**KEY INTERLOCK**

FOR SWITCHES EQUIPPED WITH KEY INTERLOCK, REFER TO THE FOLLOWING DWGS:  
 0-1023 MANUAL SWITCHES  
 0-1075 SWITCHES WITH SHUNT TRIP



VOLTS	AMPS	CAT. NO.	NET WT.	B
240 (USE 300 V. FUSES)	800	VT427		.312
	1200	VT428		.375
480Y/277 (USE 300 V. FUSES)	800	VT437		.312
	1200	VT438		.375
600 (USE 600 V. FUSES)	800	VT467		.312
	1200	VT468		.375

RECOMMENDED FRONT CUT-OUT

ALTERNATE

THIS CUT-OUT IS REQUIRED WHEN USING OPTIONAL E.U.S.E.R.C. PADLOCK CLIP

SERIES VT SWITCHES 800 & 1200 AMP 4-POLE		
SCALE:	APPROVED BY:	DRAWN BY JAE
DATE: 10-20-92		REVISED 1
<b>boltswitch, inc.</b> CRYSTAL LAKE, ILLINOIS 60014		DRAWING NUMBER <b>0-1523</b>