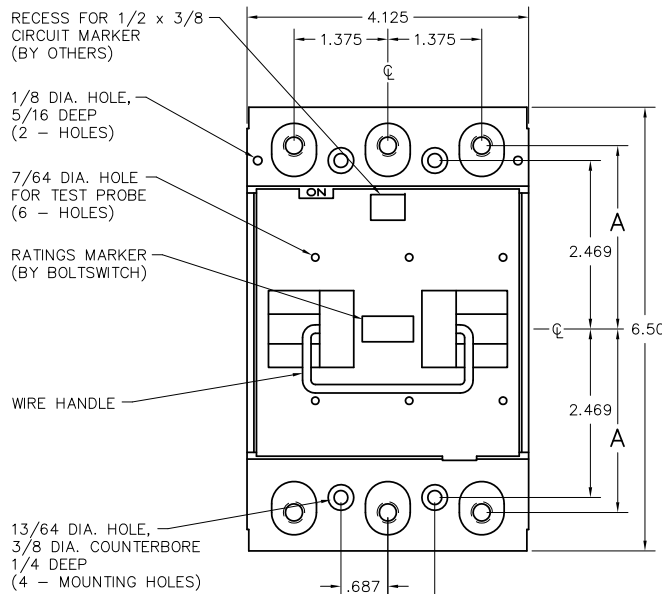
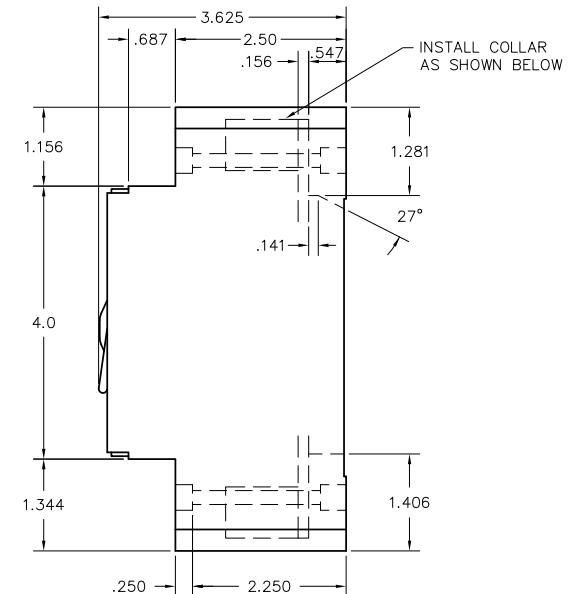


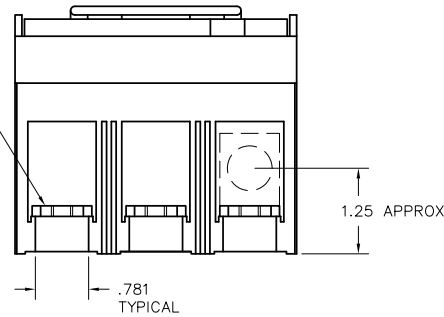
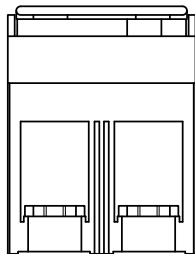
2 - POLE



3 - POLE

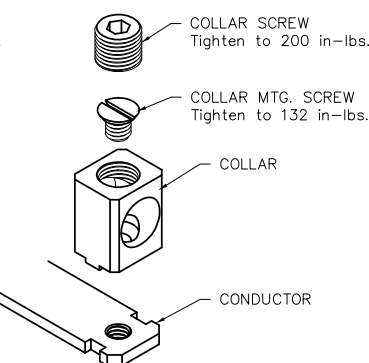
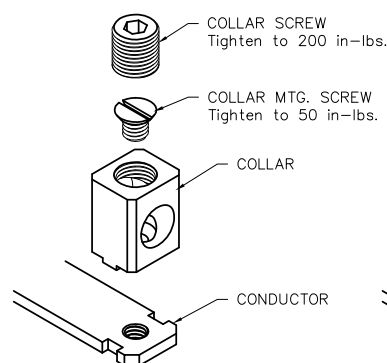
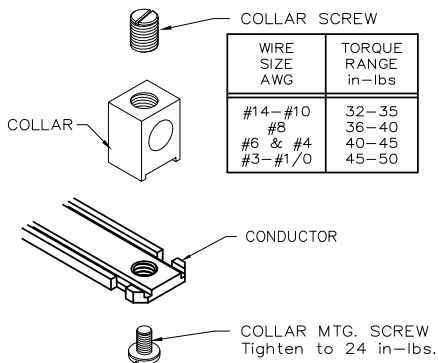


SIDE VIEW
(TYPICAL FOR ALL UNITS)



CLASS T FUSIBLE					
VOLTAGE	AMPACITY	CATALOG NUMBER		DIMENSION A	TERMINAL KIT
		2 - POLE*	3 - POLE		
240AC/125DC	100	PTL223	PTL323	2.687	TK100P, TK160P or TK200P
	200	PT224	PT324	2.687	TK160P or TK200P
600 AC	200	PT264	PT364	2.562	TK160P or TK200P

* 2 POLE UNITS ARE ALSO AVAILABLE IN 3 POLE CONSTRUCTION WITH CENTER POLE OMITTED. CATALOG NUMBERS ARE THE SAME AS 3-POLE WITH SUFFIX "-2P". (EXAMPLE: PT324-2P)



CAT. NO. TK100P
(Wire Range 14 to 1/0 AWG AL9CU)

CAT. NO. TK160P
(Wire Range 3/0 to 6 AWG AL9CU)

CAT. NO. TK200P
(Wire Range 3/0 to 300 kcmil AL7CU)

REV 6 10-3-12 JWE NEW WIRE & TORQUE RATINGS
FOR TK160P & TK200P; REMOVED 480Y/277 UNITS
REV 5 9-1-94 WCE UPDATED DC RATING
REV 4 7-8-93 JWE ADDED TK160P
REV 3 3-26-93 JWE ADDED DC RATINGS
REV 2 5-27-92 JWE ADDED 2.75 WIDE 2 - POLE
REV 1 1-22-90 JWE ADDED 100 AMP, 240 VOLT UNIT

NOTE:
240 VOLT PULLOUTS ARE DESIGNED TO RECEIVE 300 VOLT CLASS T FUSES.
600 VOLT PULLOUTS ARE DESIGNED TO RECEIVE 600 VOLT CLASS T FUSES.
FUSES ARE NOT INCLUDED WITH ANY UNITS.

100-200 AMP PULLOUT SWITCHES (200 AMP FRAME SIZE)		
SCALE:	APPROVED BY:	DRAWN BY JWE
DATE: 9-13-88		REVISED 6
boltswitch, Inc. CRYSTAL LAKE, ILLINOIS 60014		DRAWING NUMBER O-1352