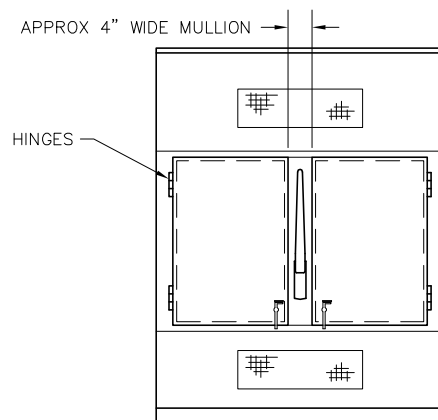


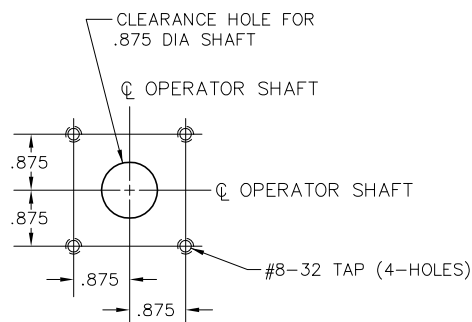
NOTE: FOR POLE UNIT DIMENSIONS, REFER TO DRAWING NO. O-1022.

VENTILATION: WHEN THE SWITCHES ARE TOTALLY ENCLOSED, VENTILATING LOUVERS MUST BE PROVIDED YIELDING A MINIMUM OF "H" SQUARE INCHES NEAR THE TOP OF THE ENCLOSURE, AND "H" SQUARE INCHES NEAR THE BOTTOM OF THE ENCLOSURE.

AMPS	H
800	NONE
1200	NONE
1600	60
2000	60
2500	80
3000	120



FRONT VIEW
RECOMMENDED ENCLOSURE DESIGN



FRONT CUT-OUT

REV. 4 3-19-10 NOTE ADDED FOR RIGHT POLE HINGE JAE
REV. 3 6-9-04 HANDLE EXTENSION ADDED JAE
REV. 2 4-24-00 REDRAWN ON CAD RME
REV. 1 10-26-99 POLE DIM. REF. WAS O-1022 JAE

800-3000A 4-POLE 600 VAC SWITCH SIDE-BY-SIDE WITH GENEVA DUAL OPERATOR		
SCALE:	APPROVED BY:	DRAWN BY JAE
DATE: 3-25-81		REVISED 4
boltswitch, inc. CRYSTAL LAKE, ILLINOIS 60014		DRAWING NUMBER O-1303