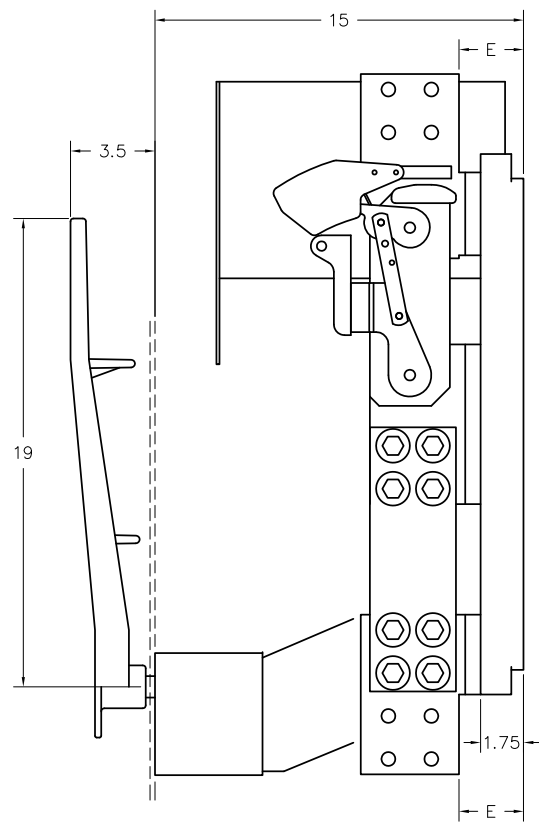
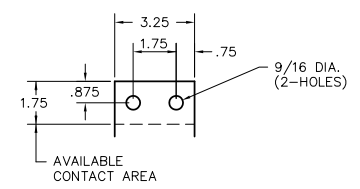


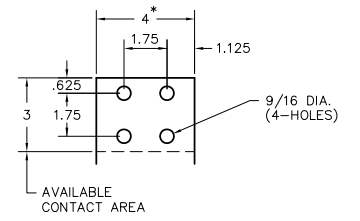
FRONT VIEW



SIDE VIEW



800 AMP TERMINAL



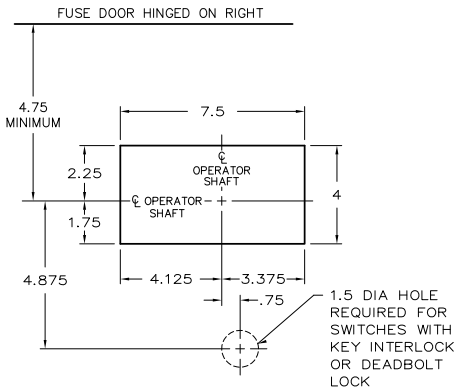
1200-3000 AMP TERMINAL
*4.437 ON 3000 AMP TERMINALS ONLY

	AMP	CATALOG NUMBER	NET WEIGHT	A	B	C	D	E	F
3 - POLE	800	O-1223	107 LBS.	25.75	2	1.75	.375	2.5	6
	1200	O-1223	114 LBS.	28.5	3.25	3.25	.375	2.5	7
	1600	O-1223	116 LBS.	28.5	3.25	3.25	.375	2.5	10
	2000	O-1223	133 LBS.	28.5	3.25	3.25	.500	2.625	10
	2500	O-1223	148 LBS.	28.5	3.25	3.25	.625	2.625	10
	3000	O-1223	160 LBS.	28.5	3.25	3.25	.750	2.625	10

2 - POLE	800	O-1223	90 LBS.	SAME AS 3-POLE EXCEPT CENTER POLE IS OMITTED.
	1200	O-1223	95 LBS.	
	1600	O-1223	96 LBS.	
	2000	O-1223	107 LBS.	
	2500	O-1223	112 LBS.	
	3000	O-1223	125 LBS.	

NOTES:

- SWITCH CONSTRUCTION IDENTICAL TO SERIES VL
- MUST LABEL "DO NOT OPERATE UNDER LOAD"
- NOT UL LISTED



RECOMMENDED FRONT CUT-OUT

OPERATOR DETAILS

FOR OPERATOR DETAILS AND ALTERNATE FRONT CUT-OUTS, REFER TO DRAWING NO. O-1023A

KEY INTERLOCK

KEY INTERLOCK SPECIFICATIONS FOR SWITCHES EQUIPPED WITH KEY INTERLOCK PROVISIONS ARE:
 .375 BOLT PROJECTION WHEN WITHDRAWN
 - KIRK TYPE B
 - SUPERIOR TYPE B6003

REV 4 2-11-15 ETM CATALOG NUMBERS CHANGED, UL & LABEL NOTES UPDATED
 REV 3 8-23-00 JAE WAS AC ONLY; ALT CUT-OUT REMOVED; KEY INT NOTE ADDED
 REV 2 7-15-97 RME NEW RECOMMENDED FRONT CUT-OUT
 REV 1 6-3-94 JAE "A" DIMENSIONS CORRECTED (WERE 15.75 & 18.5),
 OPTIONAL KEY INTERLOCK CHANGED

800-3000 A 2 & 3 P 1000 VAC OR VDC NO-FUSE SWITCHES		
SCALE:	APPROVED BY:	DRAWN BY JWE
DATE: 2-10-89		REVISED 4
boltswitch, inc. CRYSTAL LAKE, ILLINOIS 60014		DRAWING NUMBER O-1223